

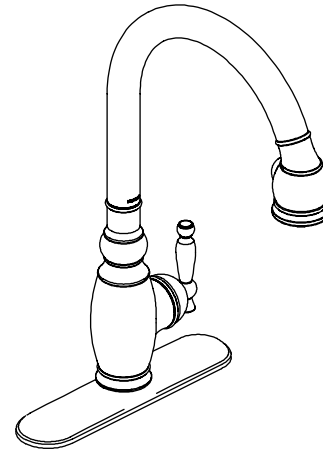
Features

- Metal construction
- One-piece, self-contained ceramic disc valve allows both volume and temperature control
- Temperature memory allows faucet to be turned on and off at any temperature setting
- High-temperature limit setting for added safety
- Touch control for stream-to-spray water flow
- Integral pullout sprayhead with retractable hose
- Integral vacuum breaker
- Flexible supplies
- Available with a 9-1/2" (24.1 cm) or 7-1/2" (19.1 cm) swing spout reach
- Includes 10-1/2" (26.7 cm) escutcheon and 2-1/2" (6.4 cm) diameter escutcheon
- Lower flow aerator options available (refer to the Kohler Price Book)
- 2.2 gallons (8.3 L) per minute maximum flow rate

PULL-DOWN KITCHEN SINK FAUCET

K-690
ALSO K-691

ADA



Codes/Standards Applicable

Specified model meets or exceeds the following at date of manufacture:

- ADA
- ASME A112.18.1/CSA B125.1
- ICC/ANSI A117.1
- NSF 61
- Energy Policy Act of 1992
- All applicable US Federal and State material regulations

Colors/Finishes

- CP: Polished Chrome
- BN: Brushed Nickel
- Other: Refer to Price Book for additional colors/finishes

Accessories

- NA: None applicable

Specified Model

Model	Description	Colors/Finishes		
K-690	Pull-down kitchen sink faucet – with 9-1/2" (24.1 cm) swing spout reach	<input type="checkbox"/> CP	<input type="checkbox"/> BN	<input type="checkbox"/> Other ____
K-691	Pull-down kitchen sink faucet – with 7-1/2" (19.1 cm) swing spout reach, secondary	<input type="checkbox"/> CP	<input type="checkbox"/> BN	<input type="checkbox"/> Other ____

Product Specification

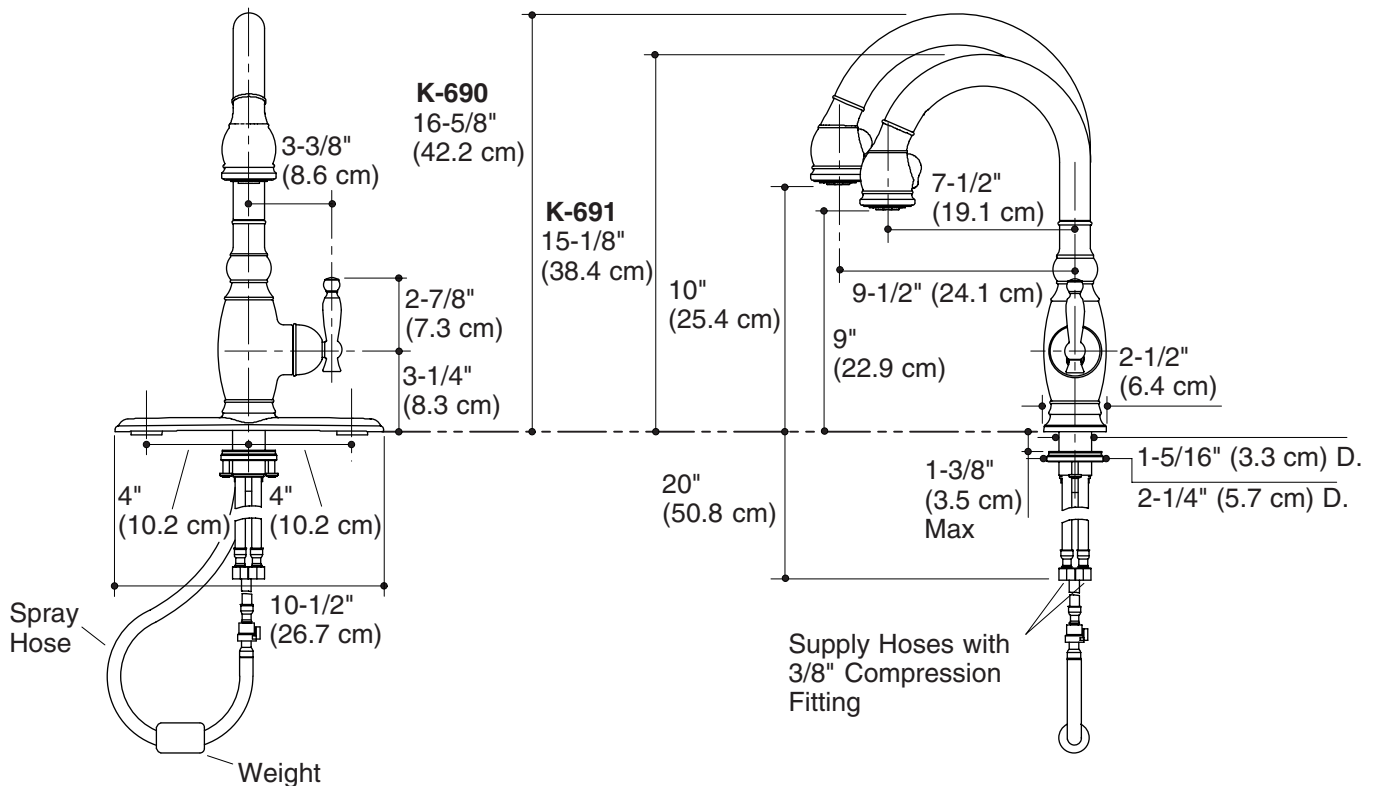
The single-control pull-down spray kitchen sink faucet shall be of metal construction. Product shall have a maximum flow rate of 2.2 gallons (8.3 L) per minute with lower flow aerator options available (refer to the Kohler Price Book). Product shall feature a one-piece, self-contained ceramic disc valve, which allows both volume and temperature control. Product shall feature temperature memory, allowing the faucet to be turned on and off at any temperature setting. Product shall feature high-temperature limit setting for added safety and flexible supplies. Product shall feature a touch-control stream-to-spray, integral pullout sprayhead and hose, ADA compliant lever handle, and integral vacuum breaker. Product shall be available with a 9-1/2" (24.1 cm) or 7-1/2" (19.1 cm) swing spout reach. Product shall include a 10-1/2" (26.7 cm) escutcheon and 2-1/2" (6.4 cm) diameter escutcheon. Faucet shall be Kohler Model K-____-____.

VINNATA®

Optional Accessories		
1012715	Deep rough-in kit Requires 1-7/16" (3.7 cm) to 1-1/2" (3.8 cm) diameter hole to accommodate 1-3/8" (3.5 cm) to 3-3/8" (8.6 cm) thick installations.	<input type="checkbox"/> NA

Installation Notes

Install this product according to the installation guide.



Product Diagram